

# BUZZ RACK

## E-SCORPION XL

|        |         |           |
|--------|---------|-----------|
| Max    |         |           |
| 50 kg  |         | 29.2 kg   |
| 60 kg  |         | 39.2 kg   |
| 70 kg  | 20.8 kg | 49.2 kg   |
| 80 kg  |         | 59.2 kg   |
| >85 kg |         | MAX 60 kg |

|                |          |          |      |                           |
|----------------|----------|----------|------|---------------------------|
|                |          |          |      |                           |
| >65mm          | ISO 50mm | FAT-BIKE | 13   | 2                         |
| Made in Taiwan |          |          |      |                           |
|                |          |          | 20.8 | MAX 2x30kg<br>MAX 2x66lbs |

**MAX 60KG**

OK

OK

OK

**Max 4.8"**

Wheel base

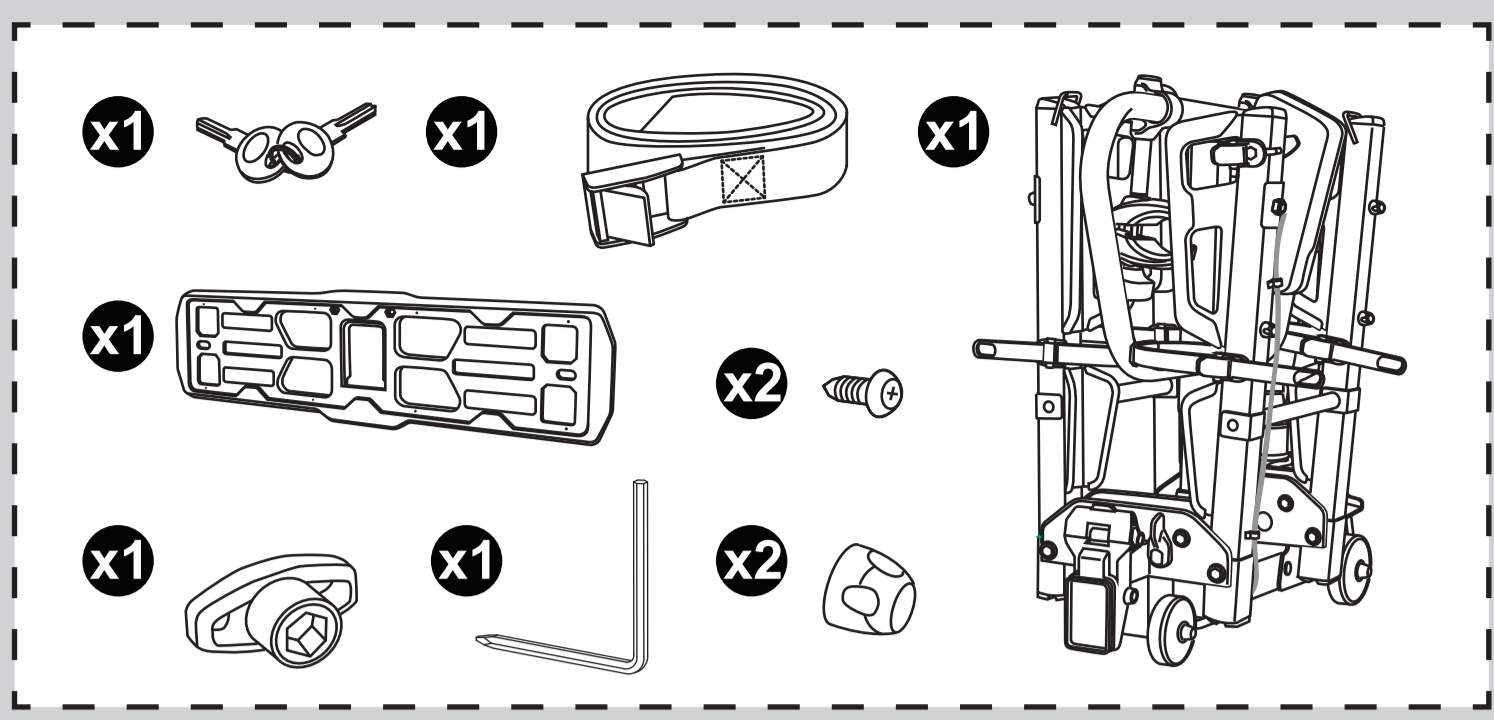
| 10" Tire diameter |            | 26" Tire diameter |            | 29" Tire diameter |            |
|-------------------|------------|-------------------|------------|-------------------|------------|
| MIN               | MAX        | MIN               | MAX        | MIN               | MAX        |
| 81cm(32")         | 116cm(46") | 78cm(31")         | 127cm(50") | 84cm(33")         | 129cm(51") |

**ACCESSORIES (NOT INCLUDED)**

**E-RAMP steel**  
# 47-0116-005-10

**1 BIKE kit**  
# 47-9176-000-10

**CONNECTOR**  
# 47-0100-042-10  
13 to 7pin



**STEP 1.** L&R

**STEP 2.**

**STEP 3.**

**STEP 4.**

**STEP 7.**

**STEP 9.**

**click**

**STEP 5.**

**STEP 6.**

**STEP 8.**

Denmark only 504x120mm

x8

\* This tool is not included.

**1**

**2**

**3**

**MAX 45 Kg**

**click**

**13-pin**

**2**

min. Ø25 mm  
max. Ø60 mm

**4**

**5**

x2

**CARBON**

x2

**5**

**6**

**6**

**1**

**2**

**3**

**4**

**1**

**2**

**3**

**4**

**click**

**1**

**2**

**3**

**4**

**1**

**2**

**3**

**4**

**1**

**2**

**3**

**4**